

The DOMINATOR

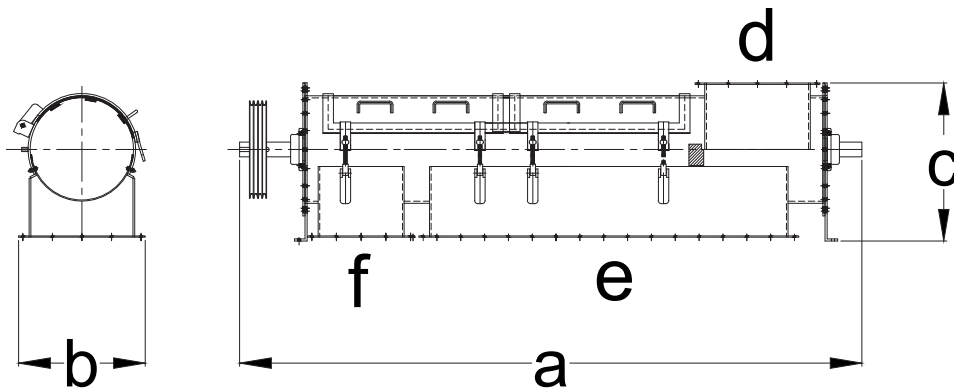
Depackaging Machine 2500

Features

- Heavy duty construction
- Solid steel 160mm dia shaft lined with steel paddles
- Lined with two mesh screens through which the organic is forced through
- Water can be injected to barrel to aid cleaning / wash out material if needed
- Two inspection doors for easy access to internals
- Can be used as a standalone machine or part of a production line
- Mechanically and electrically interlocked to prevent accidental start-up.

Specifications

- 160mm dia solid steel shaft lined with M30 threaded paddles
- 500mm dia barrel, 10mm thick. Painted carbon steel or 316 Stainless steel
- Up to 30kW motor directly mounted to shaft via gearbox
- Process up to 12m³ per hour of wet or dry product
- Up to 72 paddles – several types available to suit application
- 5-30mm screen sizes available
- Water tight access / inspection doors.



Options

- Stainless steel contact parts
- Range of screen sizes and paddle types available
- Rotation sensor
- Shaft speed to suit application
- Infeed conveyor and hopper
- Access platform and stand
- Outfeed conveyors
- Electrical control panels.

Dimensions (mm)

Overall length (a) – 2950

Width (b) – 600

Height (c) – 750

Inlet (d) – 500 x 500

Outlet 1 (e) – 1700 x 500

Outlet 2 (f) – 400 x 500